

A

B

C

D

EDITION

MODIFICATION

DATE

NAME

A

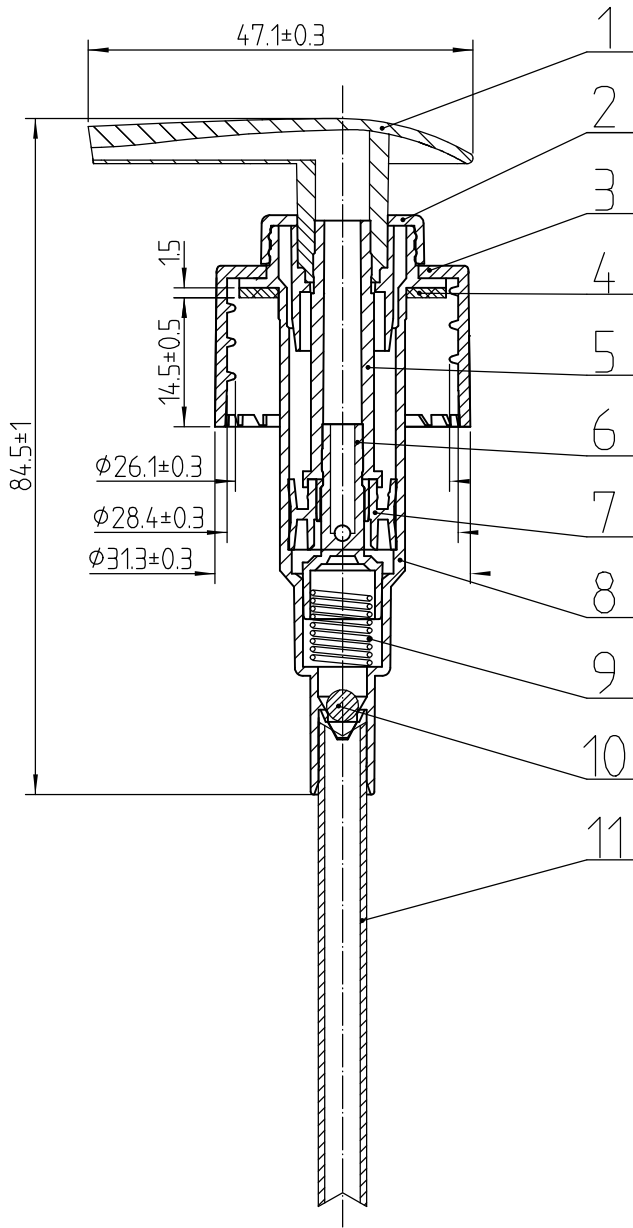
A

B

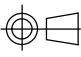
C

D

EDITION



	COMPONENT NAME	MATERIAL
1	NOZZLE	PP
2	PUMP COVER	PP
3	CLOSURE	PP
4	GASKET	PE
5	PISTON ROD	PP
6	PISTON SEAT	HDPE
7	PISTON	LDPE
8	HOUSING	PP
9	SPRING	SUS
10	BALL	GLASS
11	DIP TUBE	LDPE

	SCALE	MATERIAL	PIECES	CONSTANT THICKNESS	DEFAULT RADIUS	DRAFT ANGLE	WEIGHT (Gram)	PAGE	
			TREATMENT						
		FINISH							
		DESIGNER					UNIT	MM	
		DATE	CLIENT						
		DENOMINATION					PART NUMBER		
		SCREW LOTION PUMP					CT08-3 28/40		
		PROJECT	DATE	FILE	REFERENCE				

1

2

3

4

5

6